

HOT WATER DISPENSER

SO-3004



SPECIFICATIONS

Power: 110V, 60 Hz

Heating system: 750W

Current: 6.8 A

Thermostat: Preadjusted

Heating temperature: 90°C ~ 96°C

Tank capacity: 4 liters

Heating capacity: 8 liters / hour

Dimensions: W x D x H (cm): 18 cm x 24 cm x 39 cm - 44 cm (with fittings)

Weight: 6 kg

Water inlet diameter: 1/4" NPT female

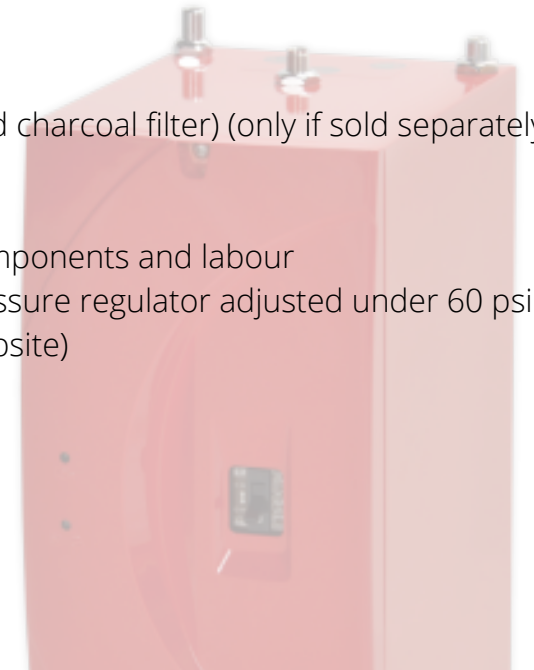
Water outlet diameter: 1/4" NPT male

Power cord length: 1.8 m

Material of body: Plastic & metal

Source Omega's advantages

- Triple filtration system (Sediment, softener and charcoal filter) (only if sold separately)
- Water leak detector
- Stainless steel tank
- Conditional warranty of 7 years on cooling components and labour
- Must be installed with a leak detector and pressure regulator adjusted under 60 psi (see the conditions of our warranty on our website)



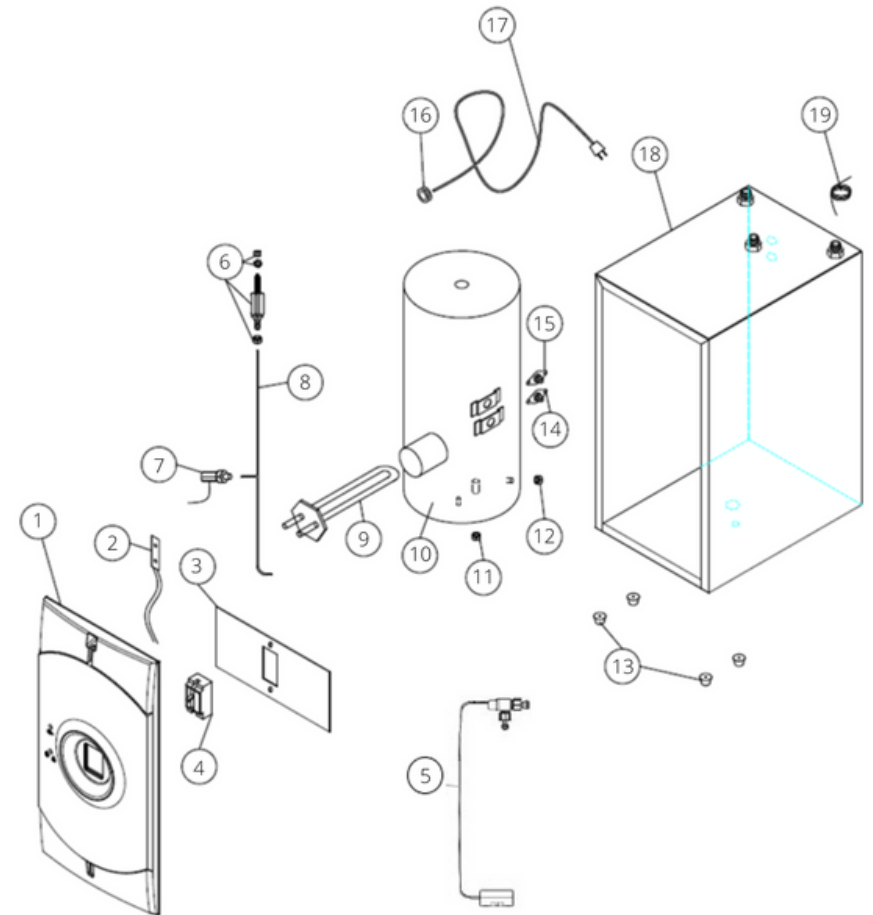
HOT WATER DISPENSER

SO-3004



Parts

1. Front panel
2. Indicator light
3. Indicator light holder
4. Circuit breaker
5. Water leak detector
6. Check valve
7. Pressure release valve
8. Copper tube
9. Heating element
10. Tank
11. Copper plug
12. Nut
13. Rubber feet
14. Hot water control 95°C
15. Hot water control 100°C
16. Power protector
17. Power cord
18. Frame
19. Capillary tube





HOT WATER DISPENSER

SO-3004



Hole alignment for faucet

The hole must be 12.7 mm in diameter.

