



SPECIFICATIONS

COLD WATER DISPENSER

SO-318



Power: 110V, 60 Hz
Consumption: 350 W
Thermostat: Mechanical control
Cold water temperature: 39°F ~ 50°F
Tank capacity : 0.5 gallons
Cooling capacity: 3.4 gallons / hour
Dimensions : W x D x H (inches): 16 29/32" x 12" x 19 11/32"
Weight: 42.8 lbs
Water inlet diameter: 1/4" NPT female
Water outlet diameter: 1/4" NPT female
Power cord length: 47 1/4"
Material of body: Painted steel

Compressor:

Brand: MATSUSHITA (PANASONIC)
Capacity: 510 Btu/h
Power: 2.9 A
Fan: 24 W
Refrigerant: R134A

Source Omega's advantages

- Triple filtration system (Sediment, softener and charcoal filter)
- Water leak detector
- Stainless steel tank
- Conditional warranty of 7 years on cooling components and labour
- Should be installed with a leak detector and a pressure regulator adjusted under 60 psi (see the conditions of our warranty on our website)



PARTS

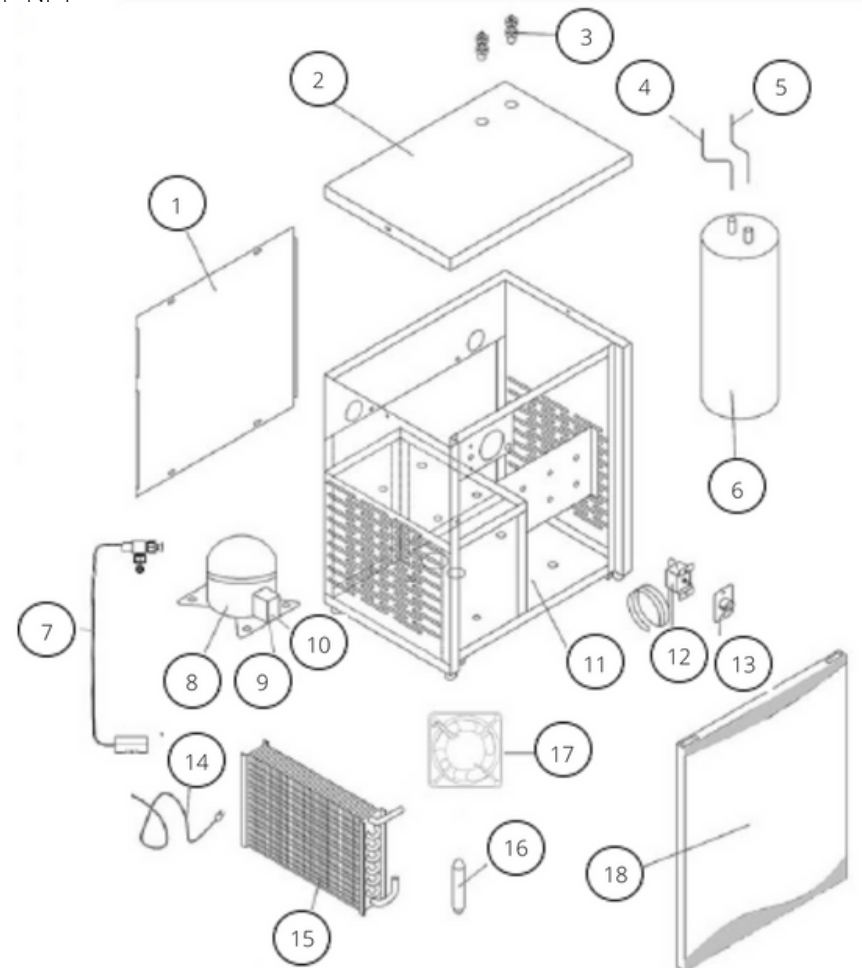
COLD WATER DISPENSER

SO-318



Parts

1. Back panel
2. Top cover
3. Water inlet (outlet) connector 1/4" NPT
4. Copper tube (water in)
5. Copper tube (water out)
6. Cold water tank
7. Water leak detector
8. Compressor
9. Compressor relay
10. Compressor overload protector
11. Frame
12. Thermostat
13. Thermostat dial button
14. Power cord
15. Condenser
16. Drier
17. Axial fan
18. Front panel

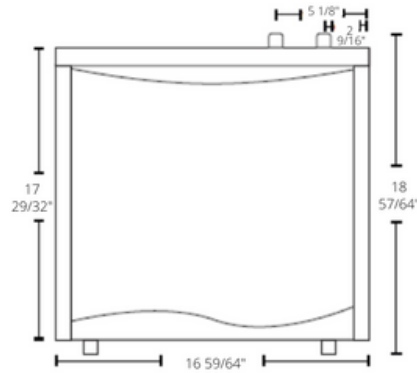




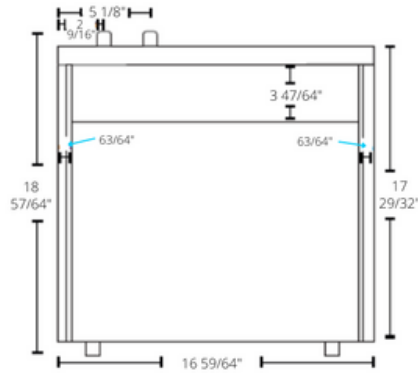
COLD WATER
DISPENSER

SO-318

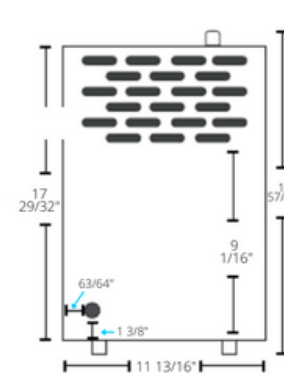
Front



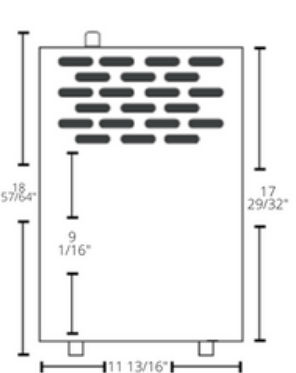
Back



Left side



Right side



Hole alignment for faucet

The hole must be 1/2" in diameter.

