



SPECIFICATIONS

DRINKING WATER FOUNTAIN

SO-295



Power: 110V, 60 Hz
Consumption: Cold water 170 W
Thermostat: Mechanical control
Cold water constant temperature: 41°F ~ 46°F
Tank capacity (cold water): 0.5 gallons
Cooling capacity: 3.4 gallons / hour
Dimensions : W x D x H (inches): 16 29/32" x 11 13/16" x 20 15/32"
Weight: 48.5 lbs
Water inlet diameter: 1/2"
Drainage diameter: 1" female plastic flanged fitting (for 1" pipe)
Power cord length: 71"
Material of body: Stainless steel panels (1/32" thickness)

There are 3 finishes available: 1) Stainless steel
2) Silver cream
3) Charcoal grey

Compressor (cold water):
Brand: Matsushita (Panasonic)
Capacity: 1810 Btu/h
Working: 250W
Power: 2.85A
Refrigerant: R134A

Source Omega's advantages

- Triple filtration system (Sediment, softener and charcoal filter)
- Water leak detector
- Stainless steel tank
- Conditional warranty of 7 years on cooling components and labour
- Should be installed with a leak detector (see the conditions of our warranty on our website)



PARTS

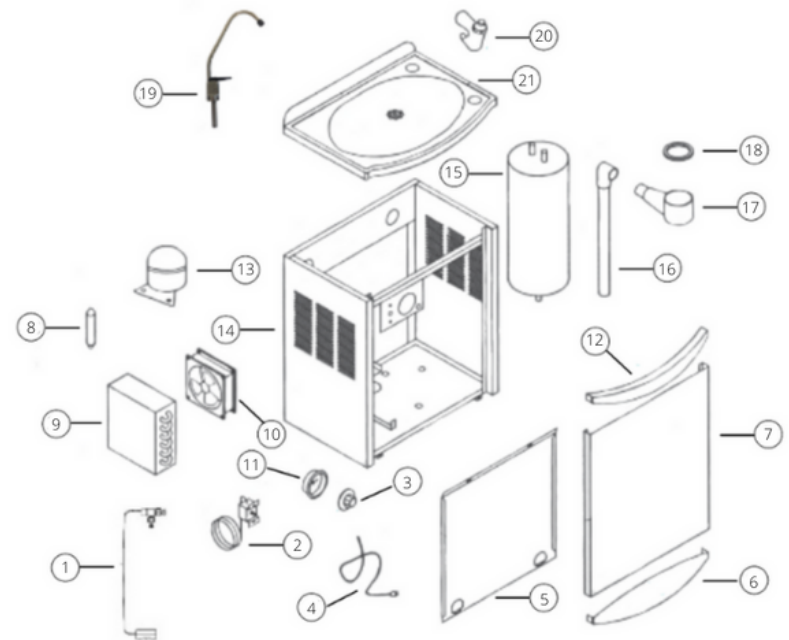
DRINKING WATER FOUNTAIN

SO-295



Parts

1. Water leak detector
2. Cold thermostat
3. Cold thermostat knob
4. Power cord
5. Bottom panel
6. Lower front panel piece
7. Front panel
8. Drier
9. Condensor
10. Axial fan
11. Cold thermostat knob holder
12. Upper front panel piece
13. Compressor
14. Frame (left + right + back panels)
15. Cold water tank
16. Drain tube
17. Drain cup
18. Drain cup rubber
19. Long reach faucet (optional)
20. Bubblers
21. Basin





DRINKING WATER FOUNTAIN

SO-295



INSTALLATION INSTRUCTIONS

1	Use the support to hang up the fountain. We recommend that the unit be installed at a height of 41 1/4". It is recommended to use a level. The top of the tank will therefore be at 41 3/4". Screw the support securely to the wall structure with 4 screws.	
2	Unscrew each of the screws that hold the front panel - at the bottom and on the sides	
3	Remove the filters, if necessary, while the appliance is being installed,. The filters are screwed and unscrewed in the opposite direction to the normal. So to screw them in, you have to turn them counterclockwise.	
4	Make the drain connection with a 1" male thread fitting and put at least 5 turns of Teflon into it. See the diagram on the next page for the distances.	
5	Screw in the supplied 3/8" Press fit fitting with 5 turns of Teflon. Push and remove the tubing 4 or 5 times to be sure it is fully seated in the bottom of the fitting. See diagram on the next page for distances.	
6	Fill in the installation date on the maintenance sheet.	

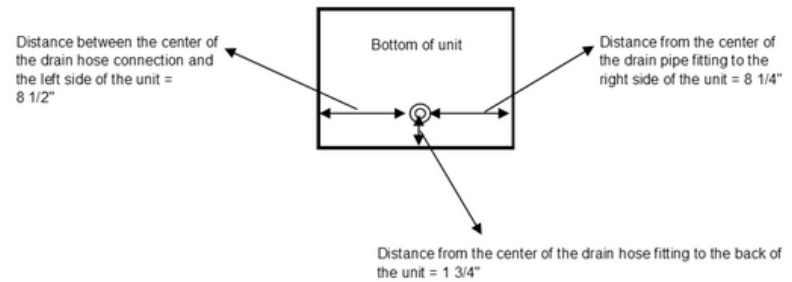
DRINKING WATER FOUNTAIN

SO-295

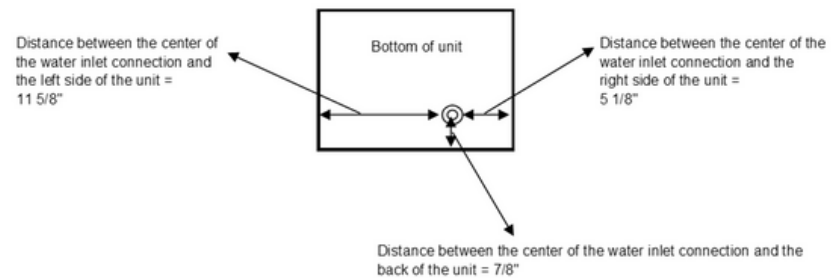


NOTE : Proportions are not exact but the measurements are

Position of the drain under the unit (A label indicates 'Drainage')



Position of the water inlet under the unit (A label indicates 'Water In')



Distances suggested for installation of the unit

